

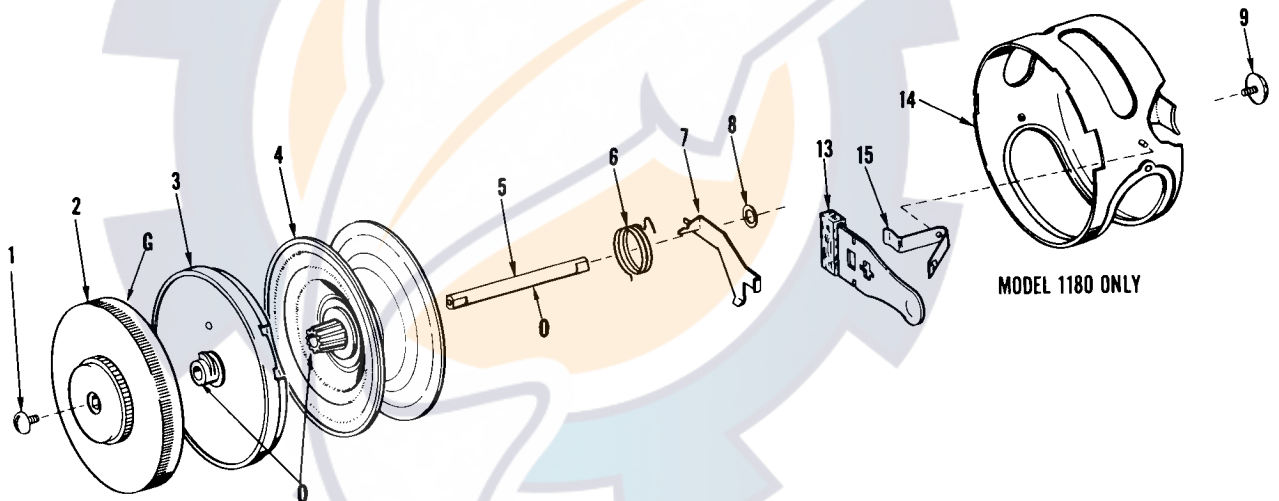


**GLADDING**  
**South Bend Tackle Co., Inc.**  
 Division of GLADDING Corporation

**1180**

3-42-1180

**AUTOMATIC REEL**



Detail No.	Part Name	Part No.	Price
1	Upper Staff Screw . . . . .	AT1-AA19	.25
2	Drive Spring Cap Assembly . . . . .	AT3-AE5	1.75
3	Gear Plate Assembly . . . . .	AT5-AC7	1.80
4	Spool Assembly . . . . .	AT7-AE17	1.60
5	Staff . . . . .	AT9-AH18	.45
6	Break Coil Spring . . . . .	AT10-A1	.20
7	Break Slide . . . . .	AT12	.30
8	Shim Washer . . . . .	AT13	.10
9	Lower Staff Screw . . . . .	AT14	.45
13	Brake Lever Assembly . . . . .	AT20-AA2	.75
14	Frame Assembly . . . . .	AT25-AH6A	3.25
15	Brake Lever Tension Spring . . . . .	AT27	.20